

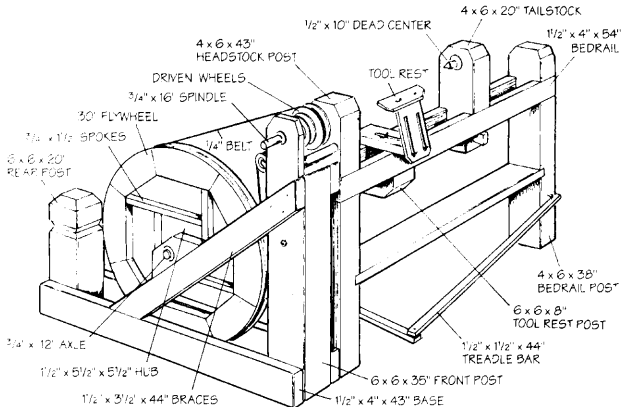
Treadle Flywheel Wood Lathe

The low-tech border between hand tools and power tools is inhabited by people-powered machinery. This clever wooden wood lathe is kin to a potter's kick wheel in principle, and is similarly capable of respectable work. It's how home-shop lathes used to be, but improved by adjustable speed and torque settings.

—J. Baldwin

Treadle Flywheel Wood Lathe

Plans and instructions
\$30 postpaid from Lake
City Lathe Co., PO Box
444, Lake City, CO
81235; 303/944-2245.



Besides allowing the right measure of control in my turning, [my foot-powered lathe's] motorless design permits me to take my work to crafts fairs, secluded spots, or anywhere else I might desire without worrying about extension cords.



Expand 'Inexpensive accurate haemoglobin measurement at the bedside.' A sma
easy to ...

Health: 'Solmic' Solar powered mini-microscope

Expand 'Solmic' Solar powered mini-microscope. A new portable field microsc
stren ...

Environment: Pedal-Powered Pickup

Expand Move heavy supplies around in camp without back-breaking effort or f
fuels. ...

Food and Nutrition: AirFlo Dehydrator

Expand With solar energy, improve and preserve the available food in a refuge
whi ...

Economic Development: Multi-Purpose Independence Tool Kit

Collapse



Imagine this - a human-powe
tool that without any other p
source could turn a powerful p
saw, drill, belt sander or woc
lathe, grind grain into flour,
sharpen tools, wash and spin
laundry, pump water, recharg
laptop or cell phone, operate
computer or television – eve
replace a solar electric syste
cloudy days. Something from
futuristic science fiction nov

Actually, it's a 19th century technology reinvented for 21st century life sty
foot-operated push bar flywheel similar to the working parts on an old s
treadle sewing machine. Faster and easier than bicycle generators and
includes variable speed settings - 750, 1350, or 1750 rpms. Enough ver
and function to create a multiplicity of business opportunities. Kit has c
175 pieces, all the precision machined parts needed, the flywheel, chain
and sprockets for power take off – everything but the structural wood. I
about 40 hours of hard work and you'll need a good table saw and route
pages of C.A.D. plans include complete instructions and materials list.

In a refugee camp, this tool could make repairs, produce needed produc
sharpen tools, grind grain, recharge batteries and teach many possible
microenterprise opportunities. (TL5500)

For more information...

[The Ultimate Multi-Purpose Independence Tool Kit](#)



The Ultimate Multi-Purpose Independence Tool Kit

View Your Shopping Cart

Table Of Contents

Agriculture

Appliances

Books

Cooking

Communications

Energy

Farm & Ranch

Gifts & Toys

Green Building Materials

Heating/Cooling

Lighting

Remote Medical

Remote Phone Systems

Microenterprise Tools

Outfitting

Power Conditioning

Wholesale



Build your own foot-powered multi-purpose tool and turn a powerful table saw, drill, belt sander or wood lathe, grind grain into flour, sharpen tools, wash and spin dry laundry, pump water even help replace a solar electric system on cloudy days with a DC generator hooked up. Kit has over 175 pieces, all the precision machined parts needed, the flywheel, chain gear and sprockets for power take-off -- everything but the structural wood. It takes about 40 hours of hard work and you'll need a good table saw and router. 8 pages of Computer-drawn plans include complete instructions and materials list.

IMPORTANT NOTE: We may only be able to ship this product to developing countries or to someone on the way to a developing country. When sending an order, please check with us or include an address in a developing country.

Item Name	Item Number	Price	Order
The Ultimate Multi-Purpose Independence Tool Kit	TL5500	\$825.00	<input type="button" value="Order"/>